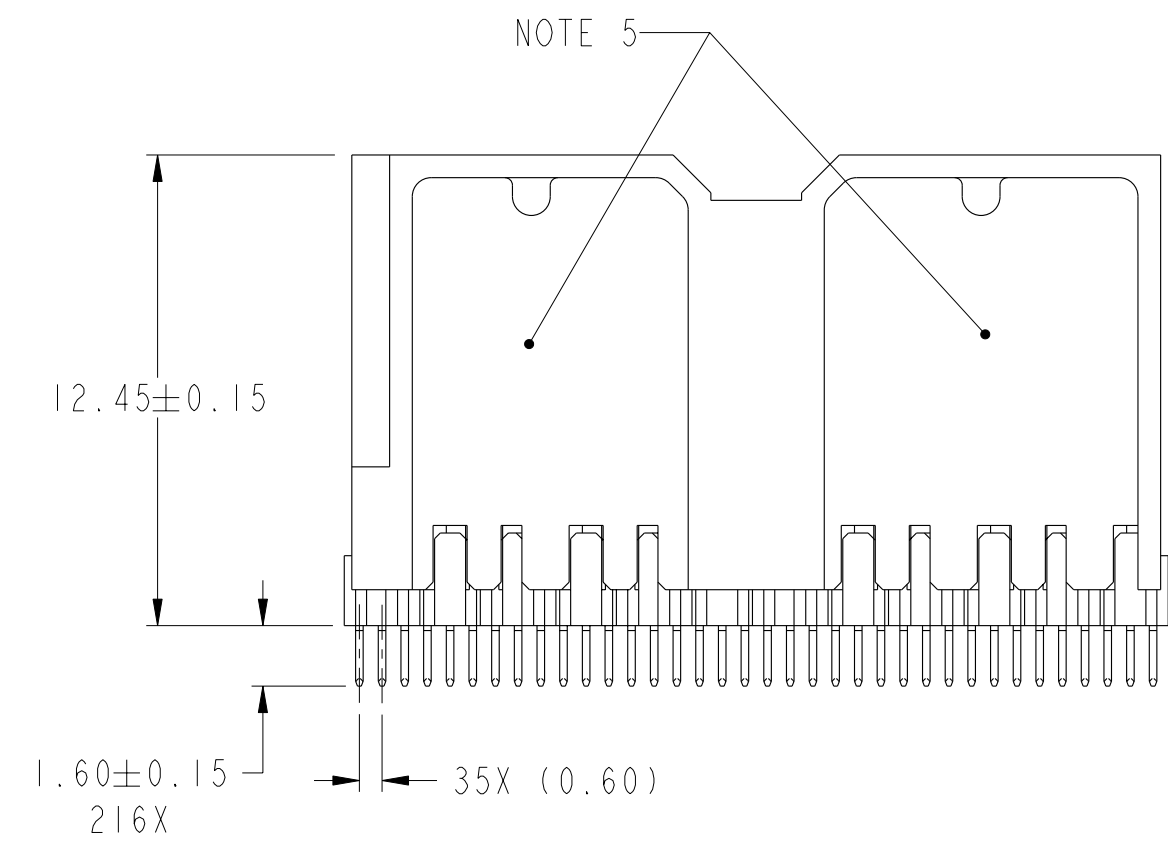
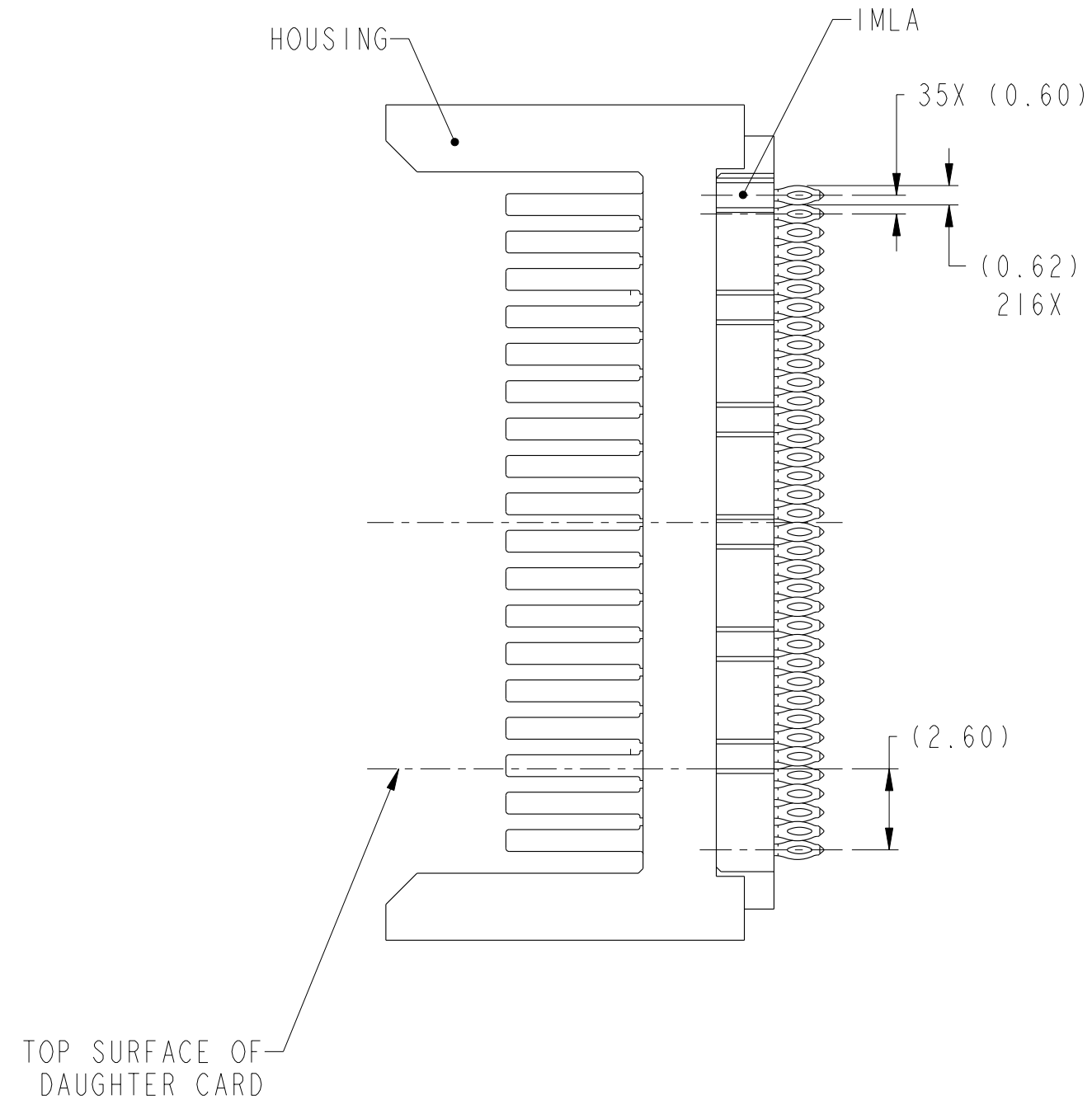
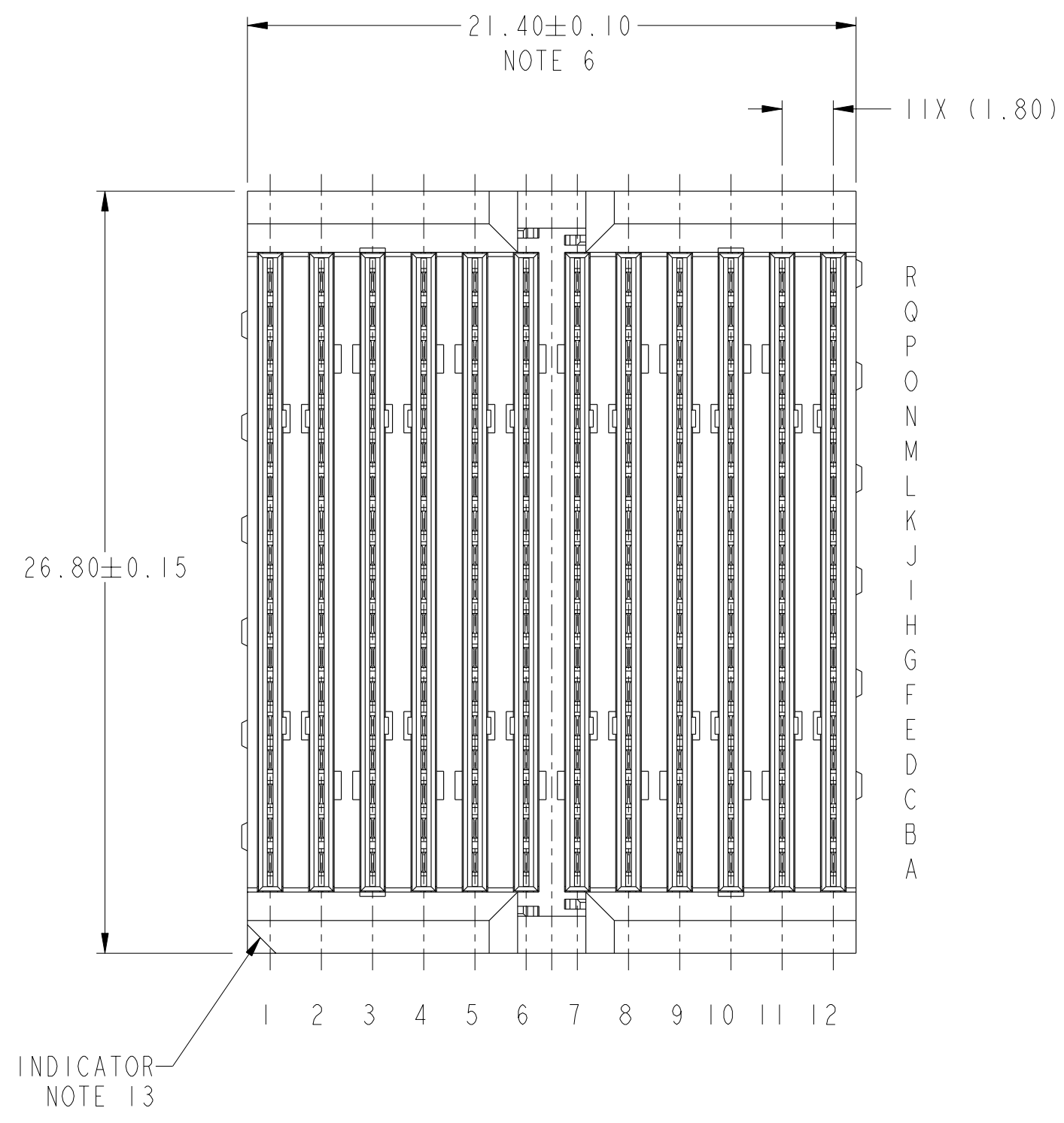


Product number
SEE TABLE, SHT 4



PRELIMINARY

www.fciconnect.com		surface ASME Y14.5	tolerance std ASME Y14.5	projection	MM
		TOLERANCES UNLESS OTHERWISE SPECIFIED			
Dr	G. HULL	2007-03-02	ANGULAR	0.X	±0.3
Eng	D. JOHNESCU	2007-03-02	LINEAR	0.XX	±0.10
Chr	D. JOHNESCU	2007-03-02	0° ±2°	0.XXX	±0.050
Appr					
Product family		ZipLine		Spec ref	
FCJ		ZipLine ORTHOGONAL VERT HDR		Rev. no	
		6 PR, 12 IMLA, 1.8mm PITCH, 21.6mm		10076222	
catalog no		CUSTOMER		sheet 1 of 4	

rev	ecn no	dr	date
1	NEW	GAH	2007-03-02
2	REVISED	GAH	2007-03-07
3	REVISED	GAH	2007-05-07
4	REVISED	GAH	2007-07-11
5	REVISED	GAH	2007-09-20
6	REVISED	GAH	2007-10-11
-	-	-	-

1 2 3 4 5 6 7 8

A

B

C

D

E

F

A

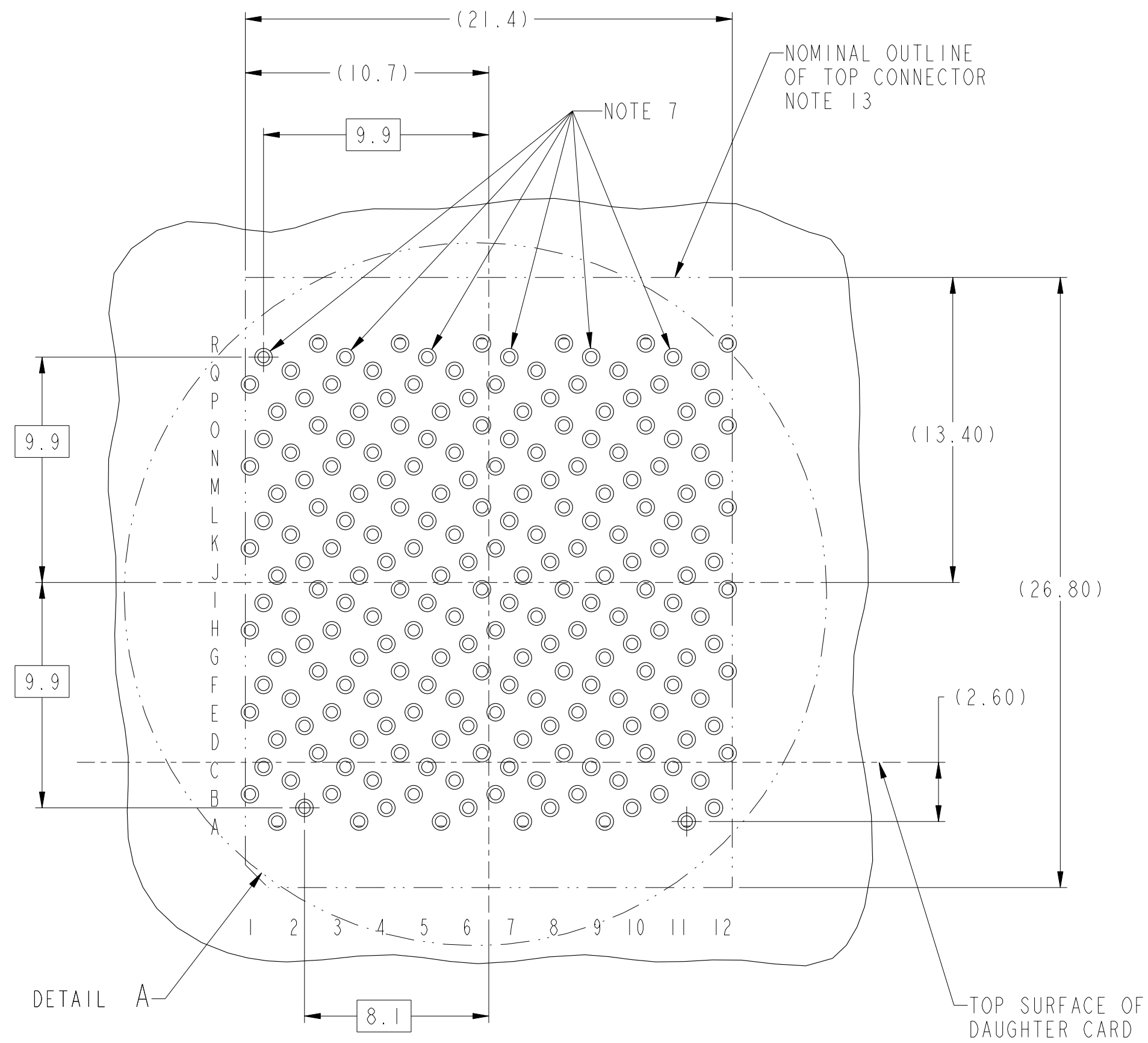
B

C

D

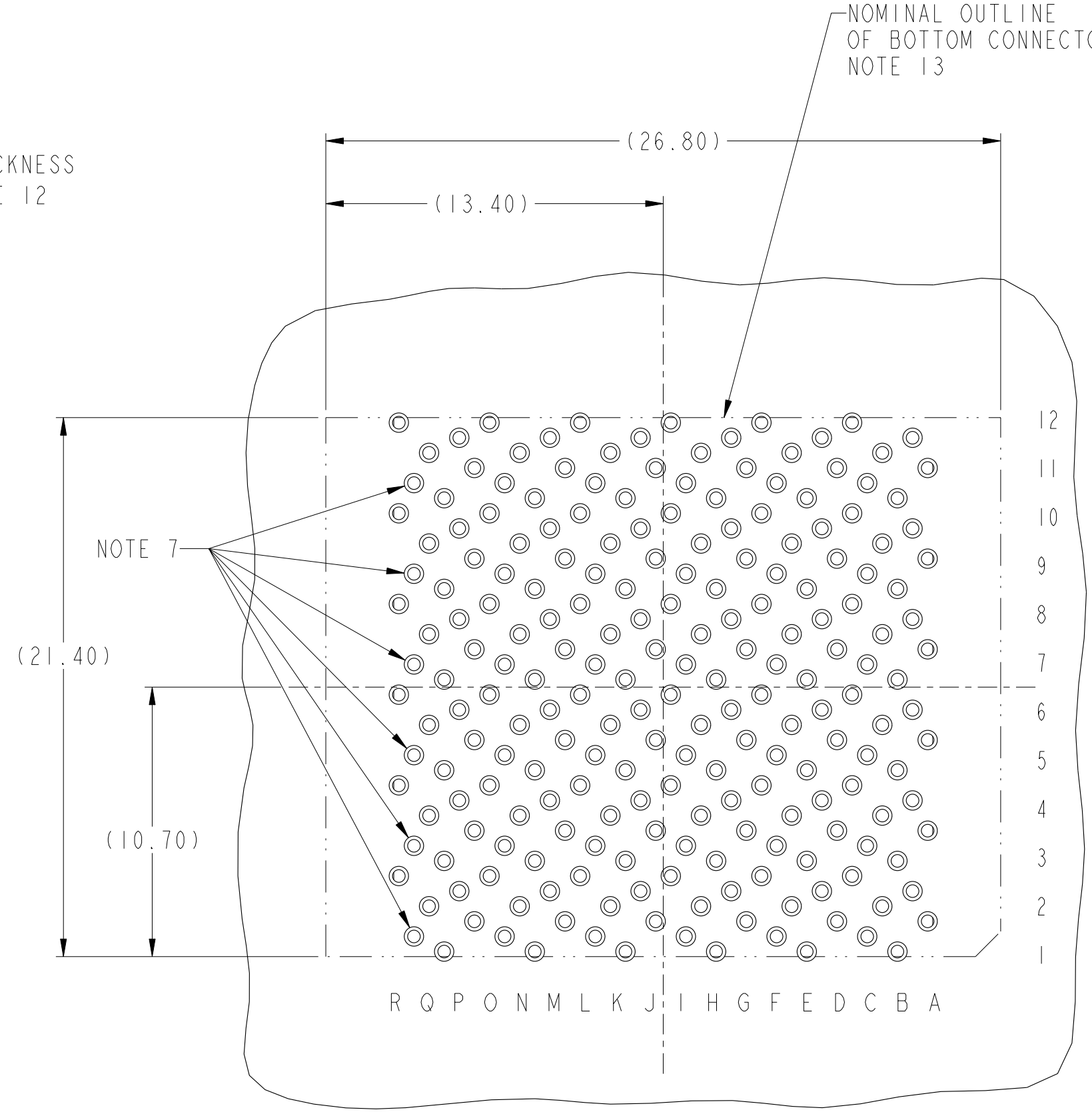
E

F



RECOMMENDED PCB LAYOUT
TOP PCB VIEW
NOTE 8

PCB THICKNESS
SEE NOTE 12



RECOMMENDED PCB LAYOUT
BOTTOM PCB VIEW



Copyright FCJ.
REV F - 2006-04-17

PRELIMINARY

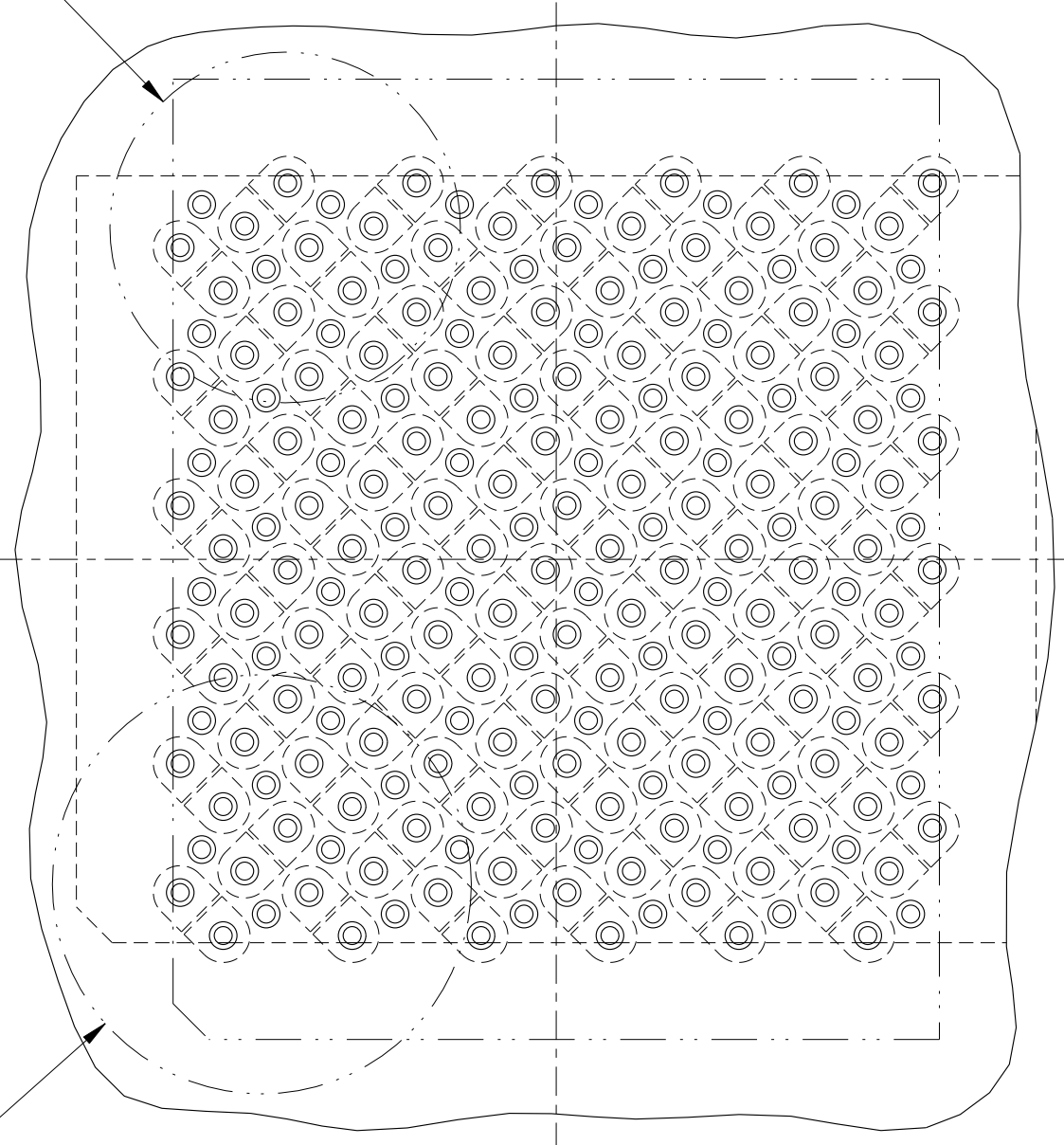
	TITLE ZipLine ORTHOGONAL VERT HDR 6 PR, 12 IMLA, 1.8mm PITCH, 21.6mm	drawing no 10076222	Rev. 6
	catalog no -	CUSTOMER sheet 2 of 4	

1 2 3 4 5 6 7 8

A B C D E F

A B C D E F

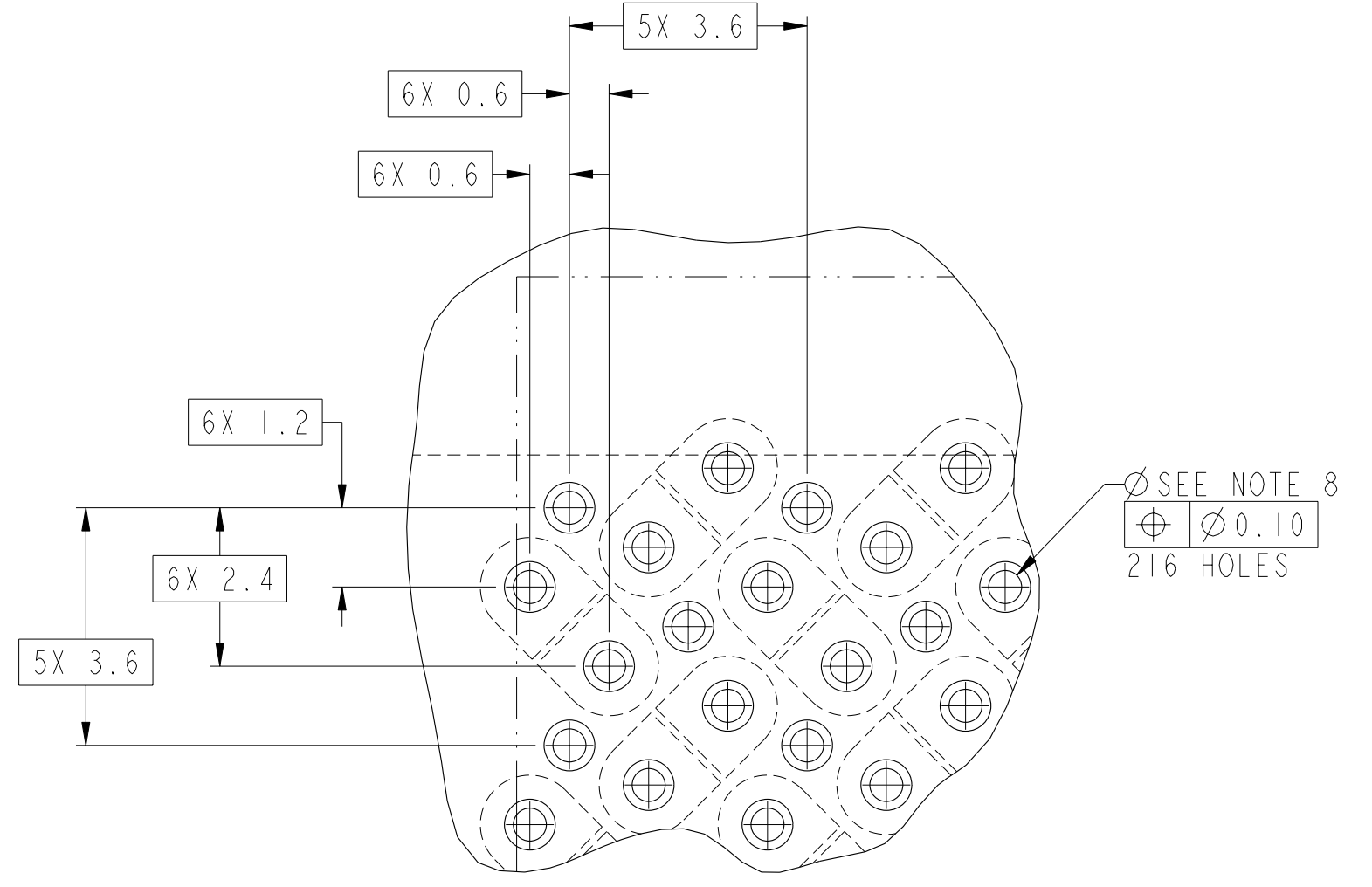
DETAIL C



RECOMMENDED PCB LAYOUT
DIFFERENTIAL APPLICATIONS

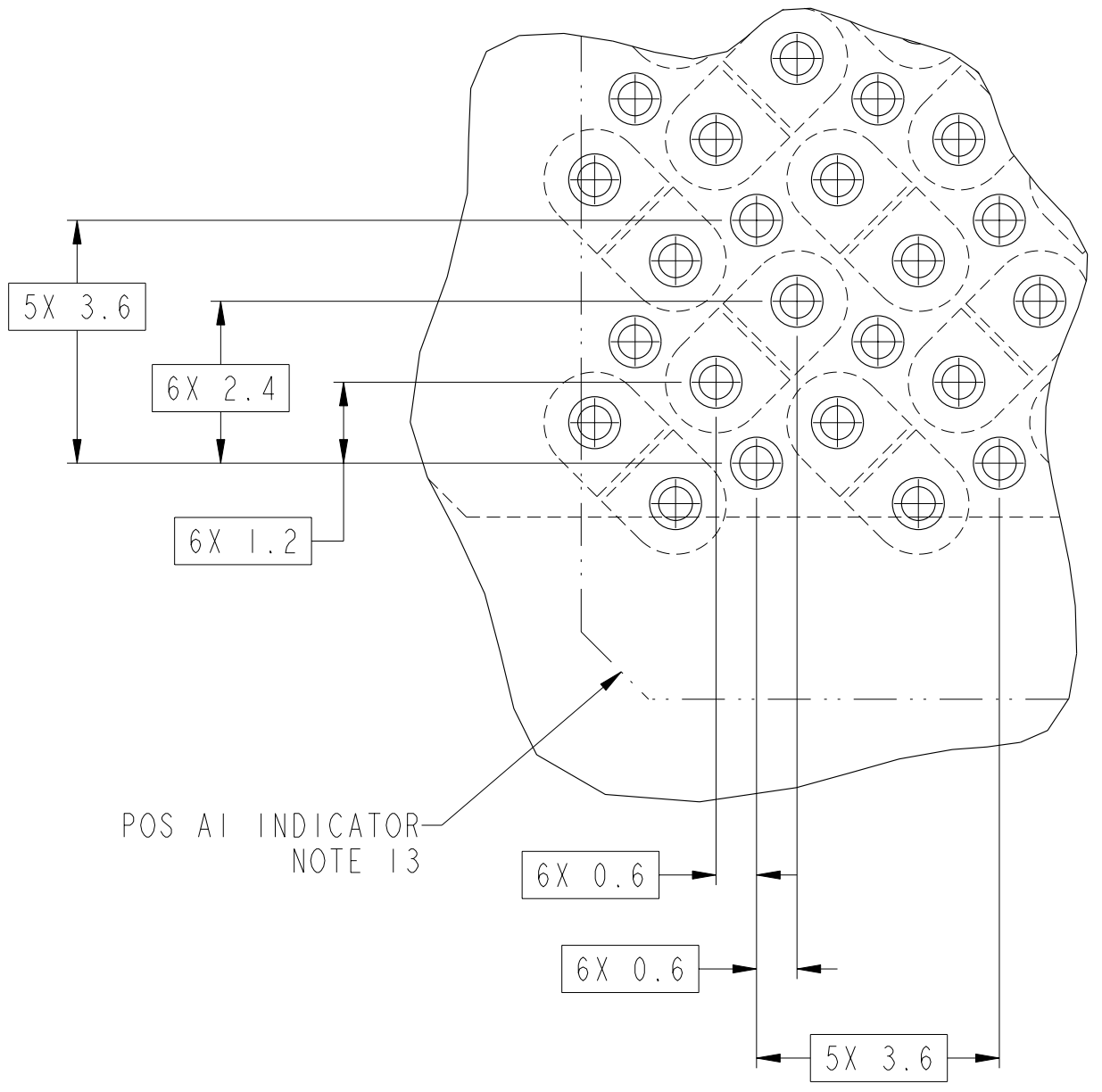
VIEW A

DETAIL B



VIEW C
SCALE: 10:1

SEE NOTE 8
Ø 0.10
216 HOLES



VIEW B
SCALE: 10:1

POS A1 INDICATOR
NOTE 13

PRELIMINARY

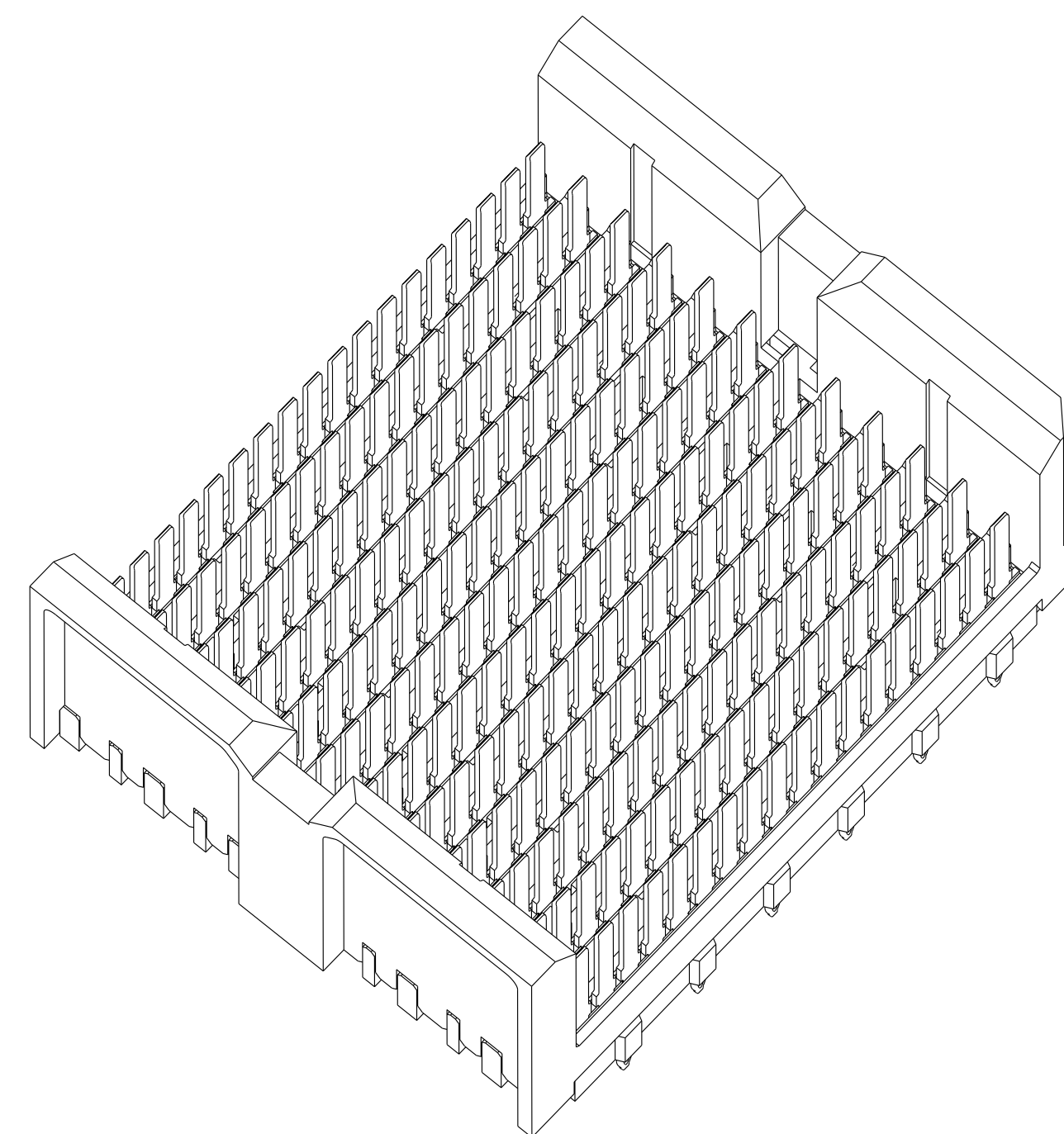
FCJ	title	ZipLine ORTHOGONAL VERT HDR	dwg no	10076222	Rev.	6
	catalog no	6 PR, 12 IMLA, 1.8mm PITCH, 21.6mm	CUSTOMER	sheet 3 of 4		

Copyright FCJ
FCJ

PART NUMBER	PRESS-FIT TAIL PLATING TYPE
10076222-101	TIN LEAD ALLOY OVER NICKEL
10076222-101LF	TIN OVER NICKEL (LEAD FREE)

NOTES:

1. CONNECTOR MATERIALS:
HOUSING: HIGH TEMP THERMOPLASTIC, BLACK, UL94V-0
IMLA PLASTIC: HIGH TEMP THERMOPLASTIC, BLACK, UL94V-0
CONTACT: COPPER ALLOY
2. CONTACT PLATING:
SEPARABLE INTERFACE: PERFORMANCE-BASED PLATING, QUALIFIED TO MEET THE REQUIREMENTS OF FCI PRODUCT SPECIFICATION GS-12-452 INCLUDING TELCORDIA GR-1217-CORE (NOVEMBER 1995) CENTRAL OFFICE TEST SEQUENCE
PRESS-FIT TAILS: SEE TABLE
3. PRODUCT SPECIFICATION: GS-12-452.
4. APPLICATION SPECIFICATION: GS-20-094.
5. PRODUCT MARKING, (PART NUMBER & LOT CODE), ON THESE SURFACES.
6. FOR NON-ORTHOGONAL APPLICATIONS, THE MINIMUM CENTERLINE SPACING BETWEEN ADJACENT MODULES IS 21.6mm.
7. THERE IS NO GROUND BUSSING WITHIN THE HEADER CONNECTOR. HOWEVER, POSITIONS R1, R3, R5, R7, R9, & R11 OF THE MATING RECEPTACLE ARE BUSSED. THESE MUST BE ASSIGNED AS GROUNDS.
8. REFER TO CUSTOMER DRAWING 10045979 FOR INFORMATION ON PCB HOLE DIAMETERS AND PLATING OPTIONS.
9. THIS PRODUCT MEETS EUROPEAN UNION DIRECTIVES AND OTHER COUNTRY REGULATIONS AS DESCRIBED IN GS-22-008.
10. THE HOUSING WILL WITHSTAND EXPOSURE TO 260°C PEAK TEMPERATURE FOR 40 SECONDS IN A CONVECTION, INFRA-RED OR VAPOR PHASE REFLOW OVEN.
11. PACKAGING MEETS GS-14-920 LEAD FREE LABELING SPECIFICATION.
12. MINIMUM PCB THICKNESS TO BE 3.5mm FOR ORTHOGONAL APPLICATIONS.
13. CONNECTOR OUTLINE WITH HOUSING POS A1 INDICATOR MAY BE SCREEN PRINTED ONTO CUSTOMER PCB TO BE USED AS A GUIDE FOR MANUAL CONNECTOR PLACEMENT.



10076222-101

PRELIMINARY



title ZipLine ORTHOGONAL VERT HDR
6 PR, 12 IMLA, 1.8mm PITCH, 21.6mm
catalog no -

dwg no 10076222
Rev. 6
CUSTOMER sheet 4 of 4